



MODERN WELDING CO., INC.  
EXPANDS OUR LINE OF TANKS.

# UltraLube™

Single and Double-Wall  
Rectangular Storage Tanks



**M**odern Welding is a financially sound company spanning decades since 1932. We are extremely proud of our Quality Products and the Quality of Service reputation we have earned over the past 70 plus years.

Our team of fabrication professionals is the finest craftsmen in the industry. We employ the highest standards of design and fabrication that allow us to provide fast, quality service to our customers throughout the world.

Modern Welding's position in the U.S. has elevated us into a leadership role in Global markets. Our hands-

on approach to service and our industry expertise is linked by a state-of-the-art information network. This allows our subsidiaries to provide our customers with fast, efficient service.

Our craftsmanship is of the highest quality in storage tanks, oil/water separators, steel ductwork, custom-built pressure vessels, fractioning columns, and structural steel. It is our dedication and experience that virtually makes Modern Welding's capabilities unlimited. Our customers expect it and Modern Welding delivers... anywhere.

## Rectangular tanks to fit the requirements of your business from Modern Welding.

### UltraLube™ Tanks

The UltraLube Tank is designed to give you the convenience and flexibility of indoor or outdoor installation. All tanks are available in either UL142 single-wall or double-wall construction and are environmentally safe and structurally sound. Double-wall tanks listed as integral secondary containment do not require a dike for leak protection. The UltraLube Tank provides reliable storage for flammable and combustible liquids and is tested and labeled in accordance with Underwriters Laboratories for Aboveground Storage of Flammable and Combustible Liquids and complies with the requirements of NFPA 30 regulations.

Ask about Modern Welding's New **Bench Top Tank**

### STANDARD FEATURES:

- UL142 Listed
- Bottom supports for visual inspection and easier handling
- Standard fittings with thread protectors for shipping
- Primed Exterior
- Lifting Lugs
- Product Decals
- 12 month limited warranty

### OPTIONS:

- Single or Multi compartments
- Custom dimensions
- Spill Box
- Interior coatings
- Exterior coatings
- Equipment packages installed prior to shipping
- Cylindrical tanks available

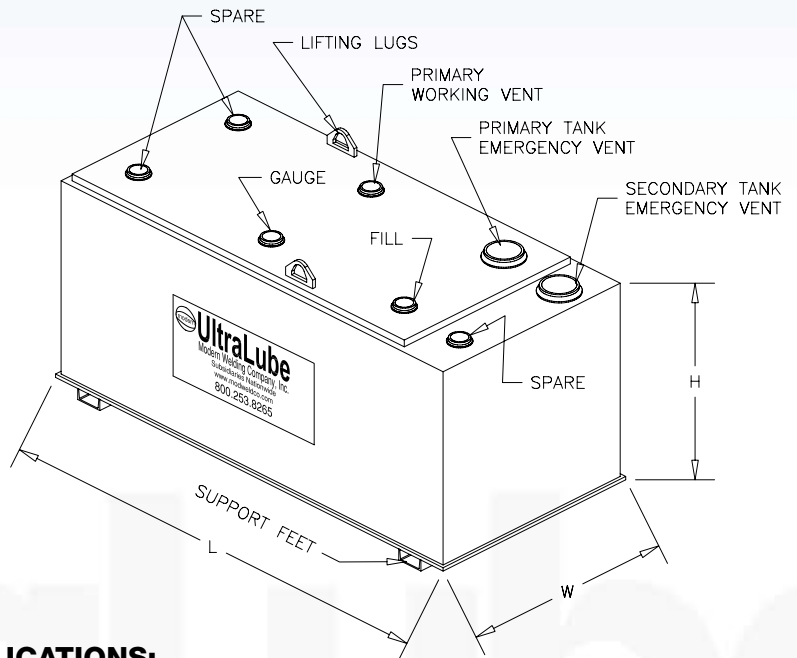
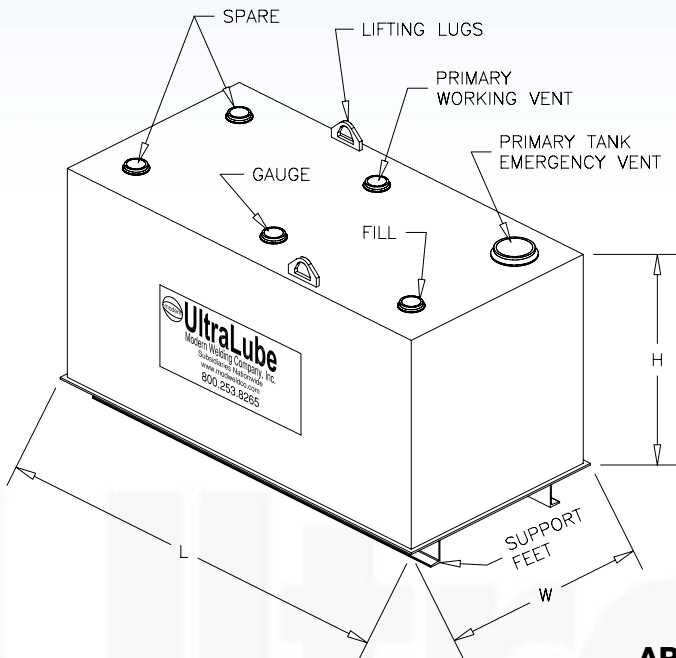


Lube oil compartment tank

Single-Wall UL 142						
CAPACITY GALLONS	OVERALL DIMENSIONS					WEIGHT (LBS)
	L	X	W	X	H	
Less than 60	Custom Sizes Available					TBD*
60	2'7"	X	1'3"	X	3'4"	200
120	2'7"	X	2'3"	X	3'4"	275
280	5'1"	X	2'8"	X	3'4"	510
480	7'4"	X	3'5"	X	3'0"	790
500	5'1"	X	2'9"	X	5'4"	780
650	6'7"	X	2'9"	X	5'4"	980
1,000	10'1"	X	2'10"	X	5'4"	1,400
1,500	12'6"	X	3'8"	X	4'11"	1,900
2,000	13'1"	X	4'8"	X	4'11"	2,820
2,500	16'3"	X	4'8"	X	4'11"	3,411
3,000	19'6"	X	4'8"	X	4'11"	4,010
4,000	21'4"	X	4'8"	X	5'11"	4,840
5,000	16'2"	X	7'8"	X	5'11"	6,260
6,000	19'4"	X	7'8"	X	5'11"	7,230
8,000	19'0"	X	7'8"	X	7'11"	8,390
10,000	23'8"	X	7'8"	X	7'11"	10,130
12,000	28'4"	X	7'8"	X	7'11"	11,940
15,000	35'5"	X	7'8"	X	7'11"	14,560
20,000	47'2"	X	7'8"	X	7'11"	18,930

Double-Wall UL 142						
CAPACITY GALLONS	OVERALL DIMENSIONS					WEIGHT (LBS)
	L	X	W	X	H	
Less than 60	Custom Sizes Available					TBD*
60	3'4"	X	1'5"	X	3'6"	420
120	3'4"	X	2'5"	X	3'6"	560
280	5'10"	X	2'10"	X	3'6"	950
480	8'1"	X	3'7"	X	3'2"	1,400
500	6'0"	X	2'11"	X	5'6"	1,430
650	7'6"	X	2'11"	X	5'6"	1,750
1,000	11'0"	X	3'0"	X	5'6"	2,465
1,500	13'6"	X	4'0"	X	5'1"	3,360
2,000	14'1"	X	5'0"	X	5'1"	4,990
2,500	17'3"	X	5'0"	X	5'1"	5,960
3,000	20'8"	X	5'0"	X	5'1"	7,000
4,000	22'6"	X	5'0"	X	6'1"	8,570
5,000	17'4"	X	8'0"	X	6'1"	9,990
6,000	20'6"	X	8'0"	X	6'1"	11,520
8,000	20'2"	X	8'0"	X	8'1"	13,730
10,000	24'10"	X	8'0"	X	8'1"	16,430
12,000	29'6"	X	8'0"	X	8'1"	19,230
15,000	36'9"	X	8'0"	X	8'1"	23,365
20,000	48'6"	X	8'0"	X	8'1"	30,210

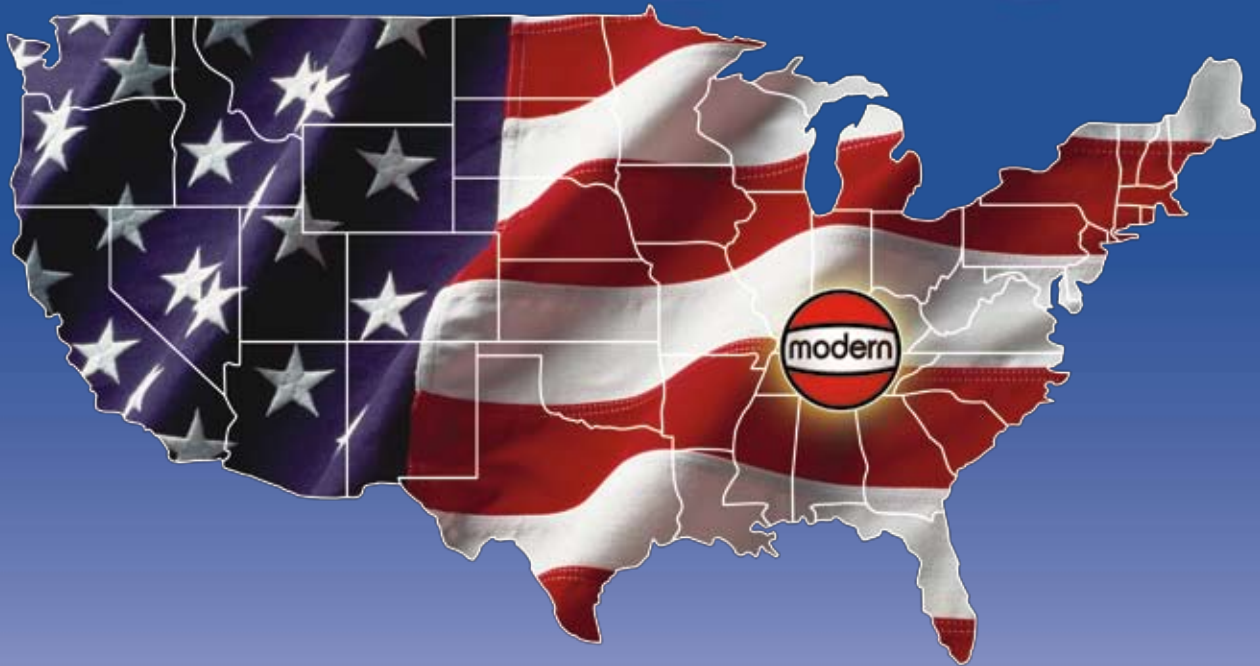
**NOTE:** Overall dimensions DO NOT include height of Lifting Lugs.  
 Tanks up to 3,000 gallons—add 3"; Tanks 4,000 gallons and over—add 6".  
 \* Weight will be furnished upon size requested.



**APPLICATIONS:**  
 Storage of: New Oil • Waste Oil  
 • Lube Oil • Day Storage  
 • Washer Fluid • Anti-Freeze

# UltraLube™

The Newest in Rectangular Tanks from the leading manufacturer...  
Modern Welding.



MODERN WELDING CO., INC.

**Modern Welding Co. of Owensboro, Inc.**

1450 E. Parrish Ave., Owensboro, Kentucky 42303

270-683-5323 • 270-684-5245 (Fax)

lmalone@modweldco.com

**800.633.0571 • 800.253.8265**

Corporate Offices

2880 New Hartford Road, Owensboro, KY 42303

