

Separator Nominal Size (gallons)	Total Separator Capacity (gallons)	Tank Diameter (inches)	Tank Total Length (inches)	dimension from tank top at 20% full of oil (high- high level) (D2, inches)
150	199	30	65	5.5
285	354	38	72	8.0
550	691	42	115	9.0
700	902	48	115	11.0
1000	1208	48	154	11.0
2000	2412	64	173	14.5
3000	3612	64	259	14.5
4000	4825	64	346	14.5
5000	6106	72	346	16.0
6000	7236	72	410	16.0
8000	9681	84	403	18.5
9000	10856	96	346	21.0
10000	12205	96	389	21.0
12000	14464	96	461	21.0
15000	18072	96	576	21.0
20000	24022	120	490	27.0
25000	30376	126	562	28.0
30000	36591	126	677	28.0



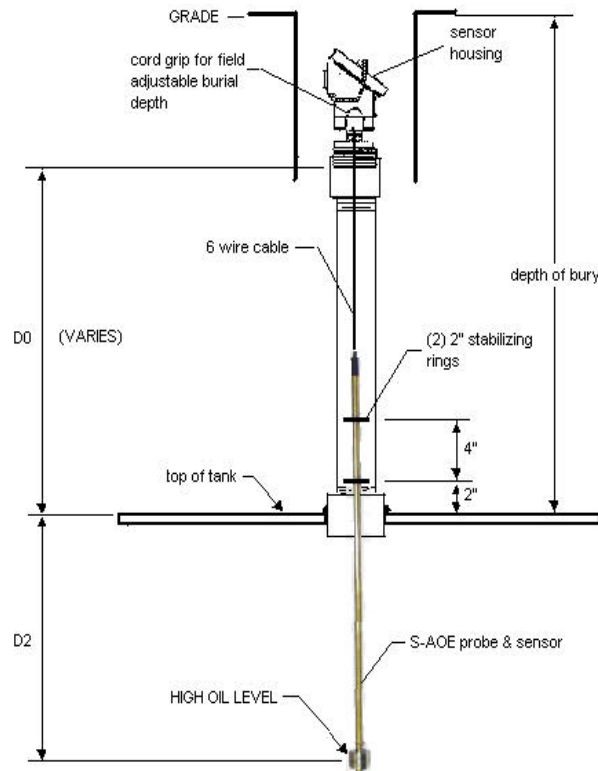
**PROBE INSTALLATION DETAILS
HIGH LEVEL SENSOR ONLY**



DRAWING NO:

3.4.1

May 10, 2004



PROBE INSTALLATION
WITH HIGH LEVEL SENSOR ONLY

Separator Nominal Size (gallons)	Total Separator Capacity (gallons)	Tank Diameter (inches)	Tank Total Length (inches)	dimension from tank top at 40% full of oil (high- high level)
150	199	30	65	12.0
285	354	38	72	14.0
550	691	42	115	15.0
700	902	48	115	18.0
1000	1208	48	154	18.0
2000	2412	64	173	23.5
3000	3612	64	259	23.5
4000	4825	64	346	23.5
5000	6106	72	346	25.5
6000	7236	72	410	25.5
8000	9681	84	403	31.0
9000	10856	96	346	35.0
10000	12205	96	389	35.0
12000	14464	96	461	35.0
15000	18072	96	576	35.0
20000	24022	120	490	46.0
25000	30376	126	562	46.0
30000	36591	126	677	46.0

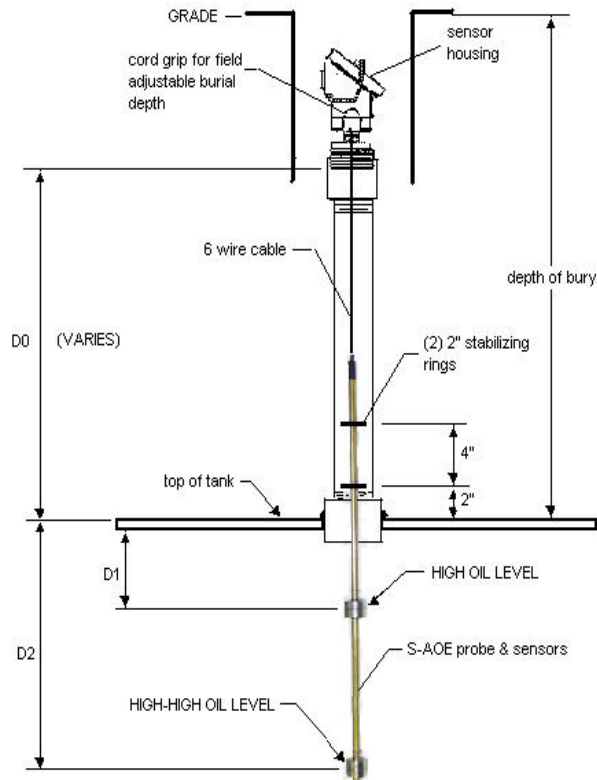


**PROBE INSTALLATION DETAILS
HIGH LEVEL SENSOR ONLY**



DRAWING NO:
3.4.1

May 10, 2004



PROBE INSTALLATION DETAILS
WITH HIGH & HIGH-HIGH LEVEL SENSORS

Separator Nominal Size (gallons)	Total Separator Capacity (gallons)	Tank Diameter (inches)	Tank Total Length (inches)	from tank top at 20% full of oil (high level)	from tank top at 40% full of oil (high-high level)
				(D1, inches)	(D2, inches)
150	199	30	65	5.5	12.0
285	354	38	72	8.0	14.0
550	691	42	115	9.0	15.0
700	902	48	115	11.0	18.0
1000	1208	48	154	11.0	18.0
2000	2412	64	173	14.5	23.5
3000	3612	64	259	14.5	23.5
4000	4825	64	346	14.5	23.5
5000	6106	72	346	16.0	25.5
6000	7236	72	410	16.0	25.5
8000	9681	84	403	18.5	31.0
9000	10856	96	346	21.0	35.0
10000	12205	96	389	21.0	35.0
12000	14464	96	461	21.0	35.0
15000	18072	96	576	21.0	35.0
20000	24022	120	490	27.0	46.0
25000	30376	126	562	28.0	46.0
30000	36591	126	677	28.0	46.0



**PROBE INSTALLATION DETAILS
HIGH & HIGH-HIGH LEVEL SENSORS**



DRAWING NO:

3.4.3

May 10, 2004