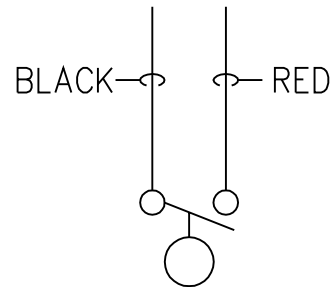


BLACK  
RED

16 FEET OF CORD

SPECIFICATIONS:

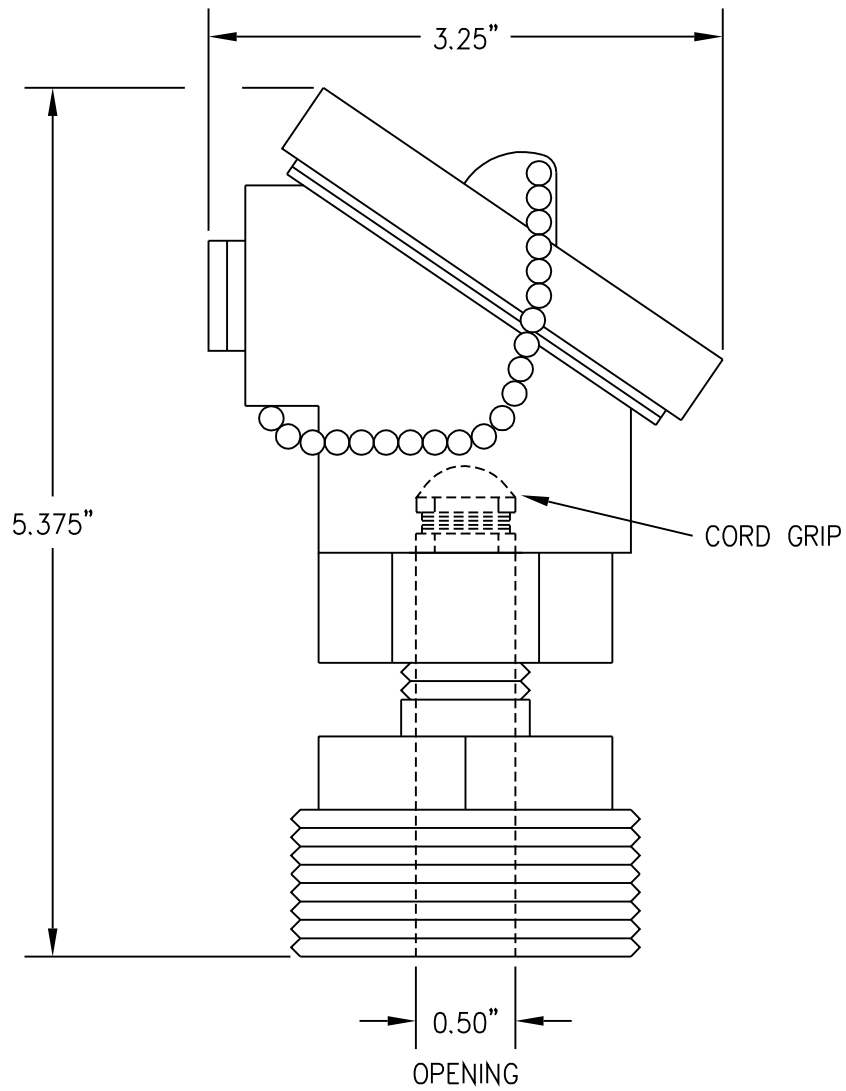
- MATERIAL: RAYTON/SS
- STEM: 1000 RAYTON
- FLOAT: 1000 BUNA N.O.
- SCREEN: 304 SS PERFORATED
- SWITCH: 50 WATT SPST N.O.
- WIRING: 2 COND CABLE WITH BLACK AND RED 22GA WIRE PVC 16 FEET



DATE	REVISIONS	BY	

LIQUID LEAK SENSOR

CUSTOMER			P.O. NO.	
DRAWN	ER	SCALE	SHEET NO.	DWG NO.
CHECKED	ER/WL	DATE 11/5/02	1 OF 1	KWLP-1



SPECIFICATIONS:  
 MATERIAL: BRASS / ALUMINUM  
 2" NPT MALE



DATE	REVISIONS	BY

HEAVY DUTY NEMA 4X HEAD			P.O. NO.	
CUSTOMER	DRAWN ER	SCALE	SHEET NO. 1 OF 1	DWG NO. KWSC-2B
	CHECKED ER/WL	DATE 11/5/02		