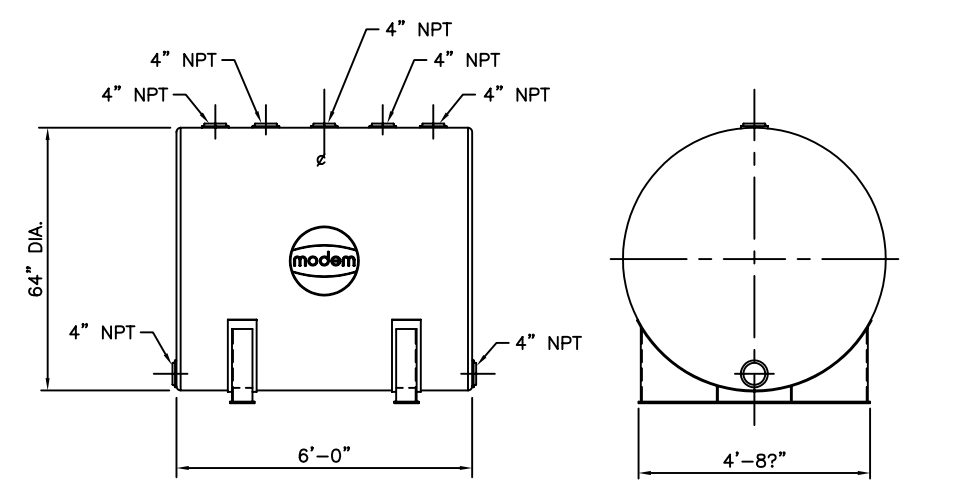
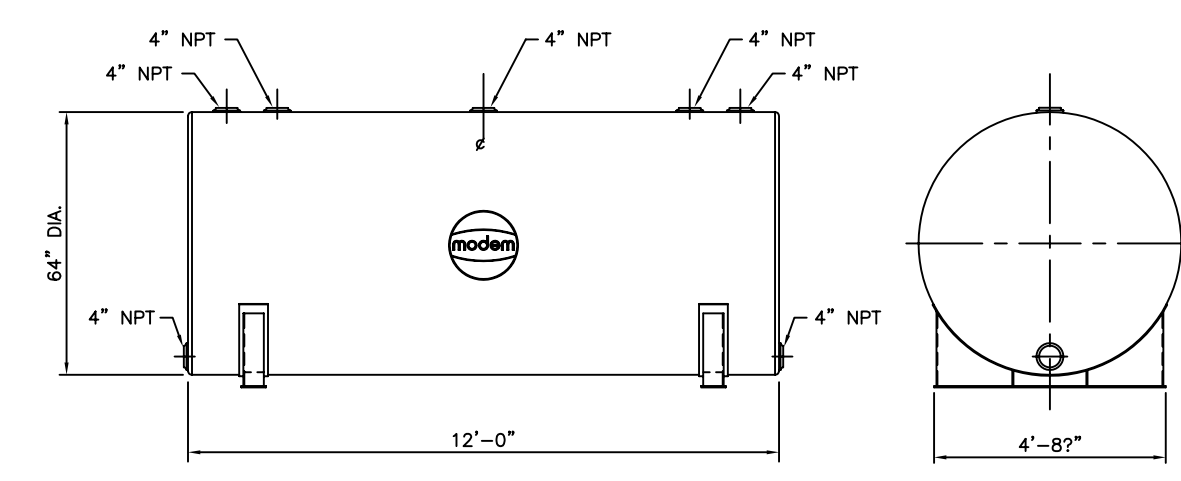


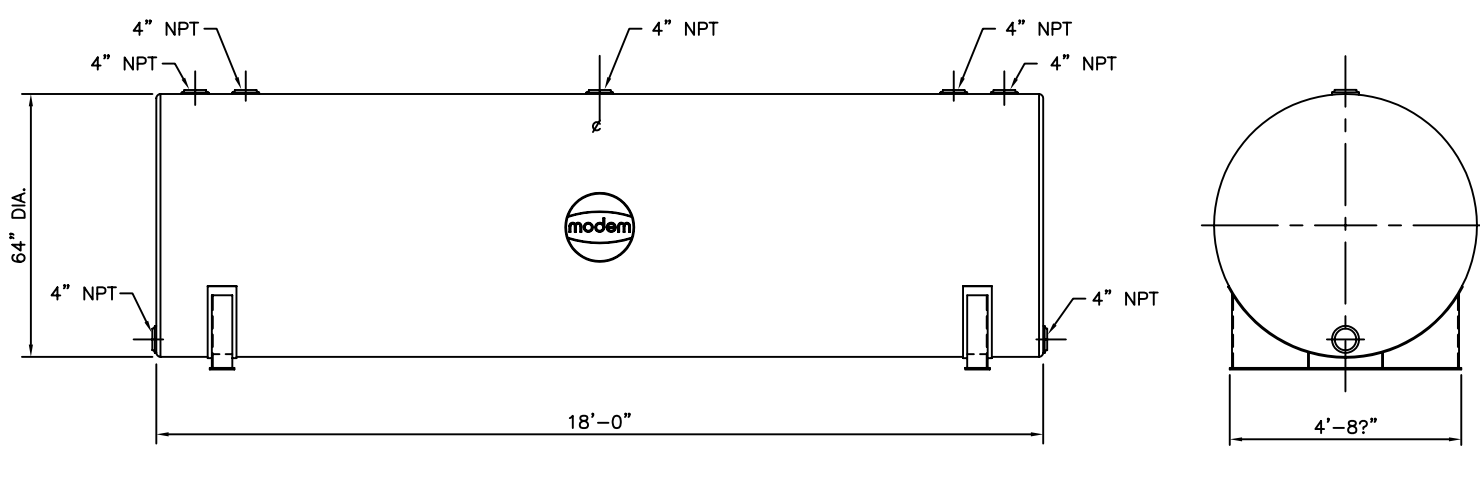
550 GALLON CAPACITY



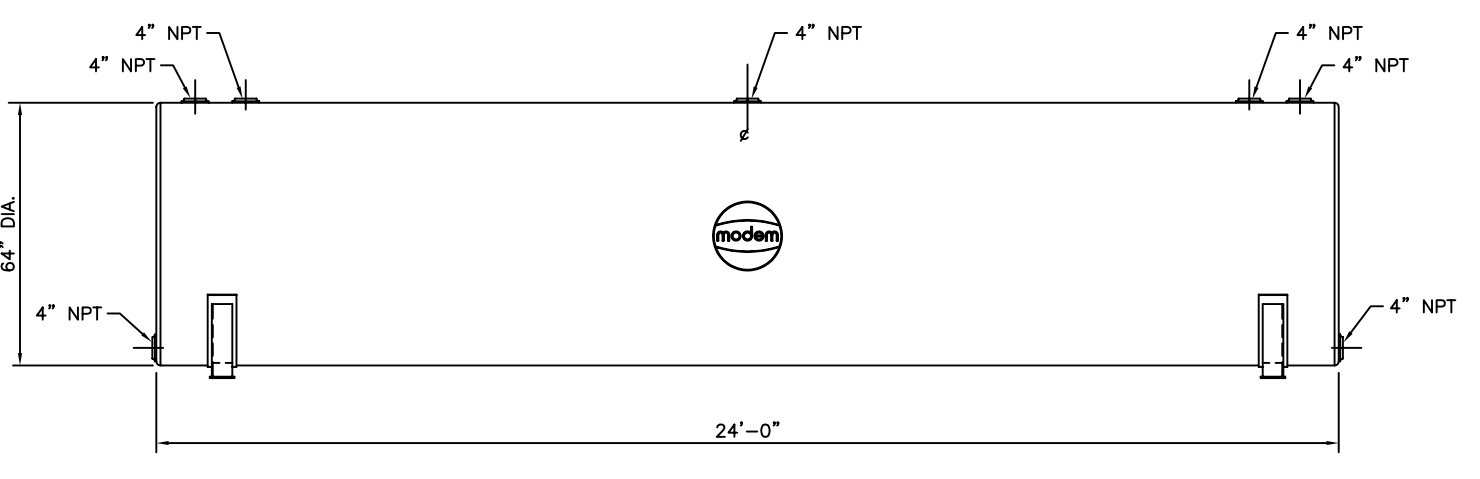
1,000 GALLON CAPACITY



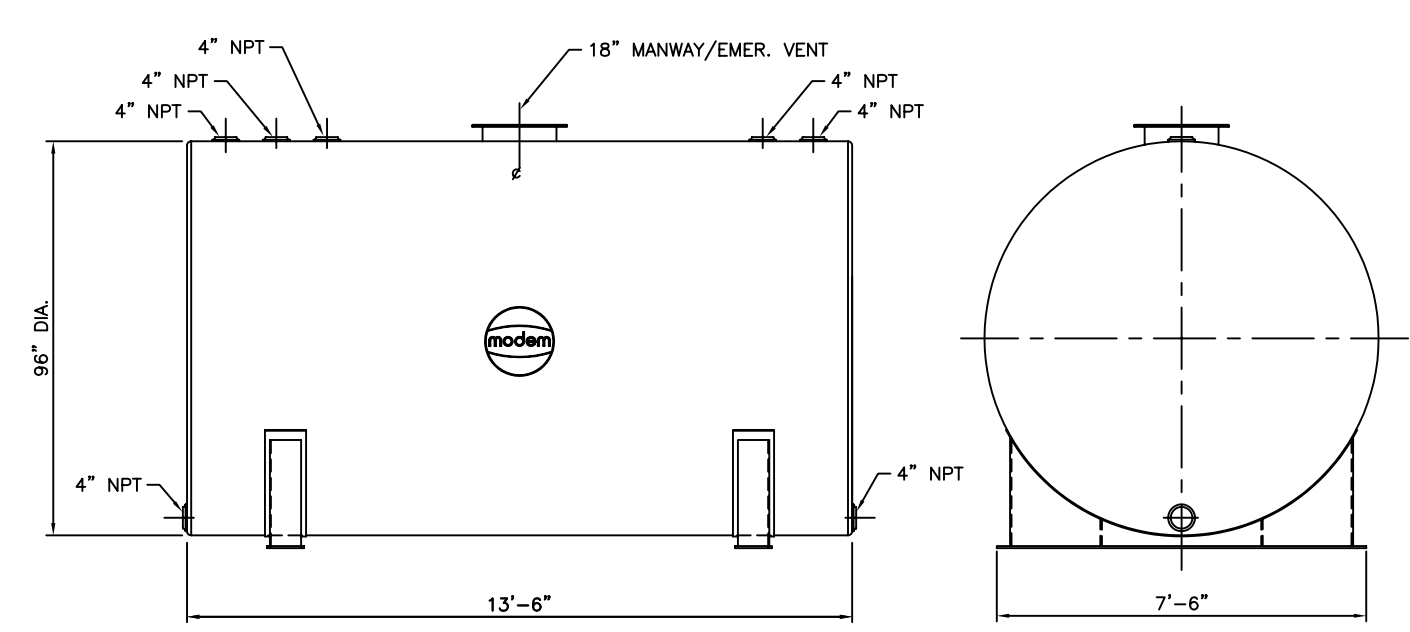
2,000 GALLON CAPACITY



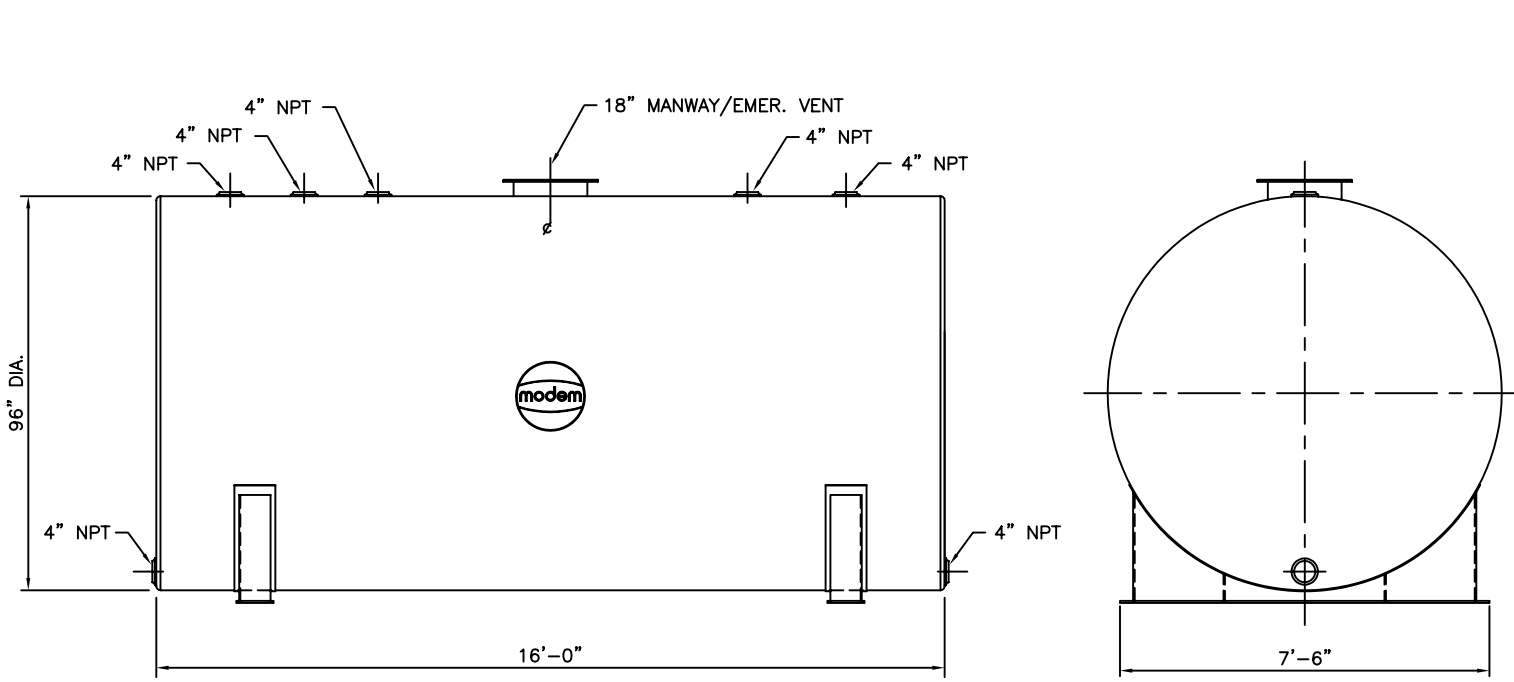
3,000 GALLON CAPACITY



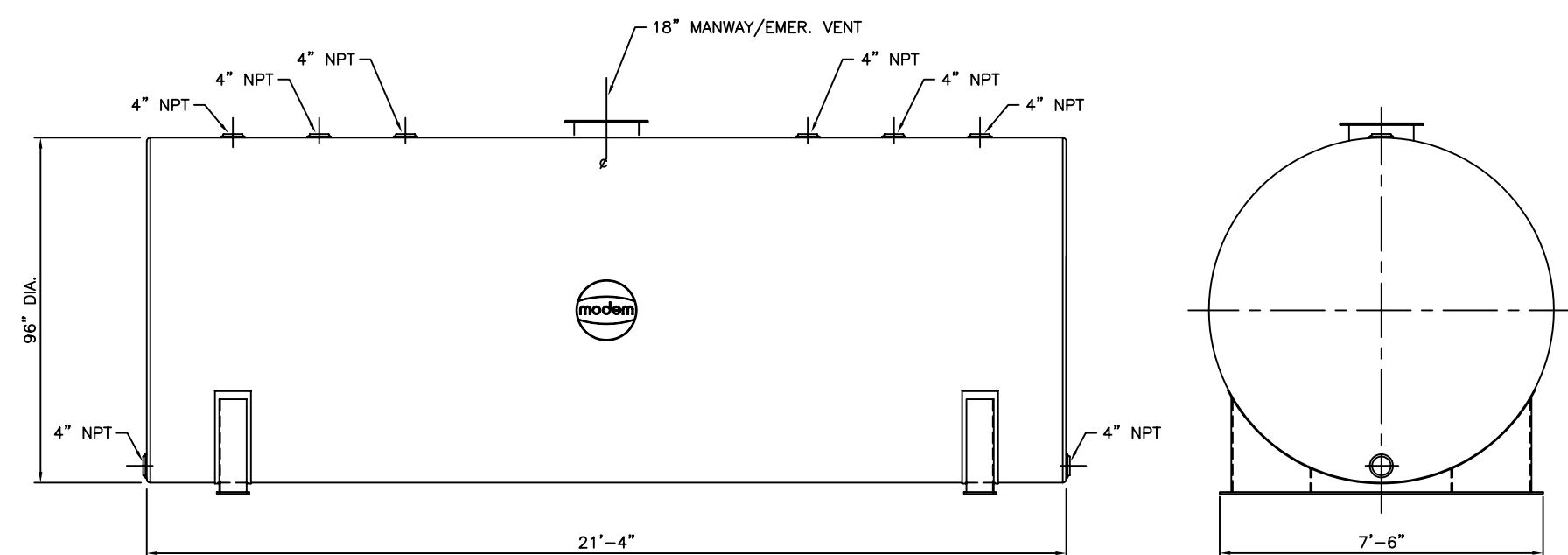
4,000 GALLON CAPACITY



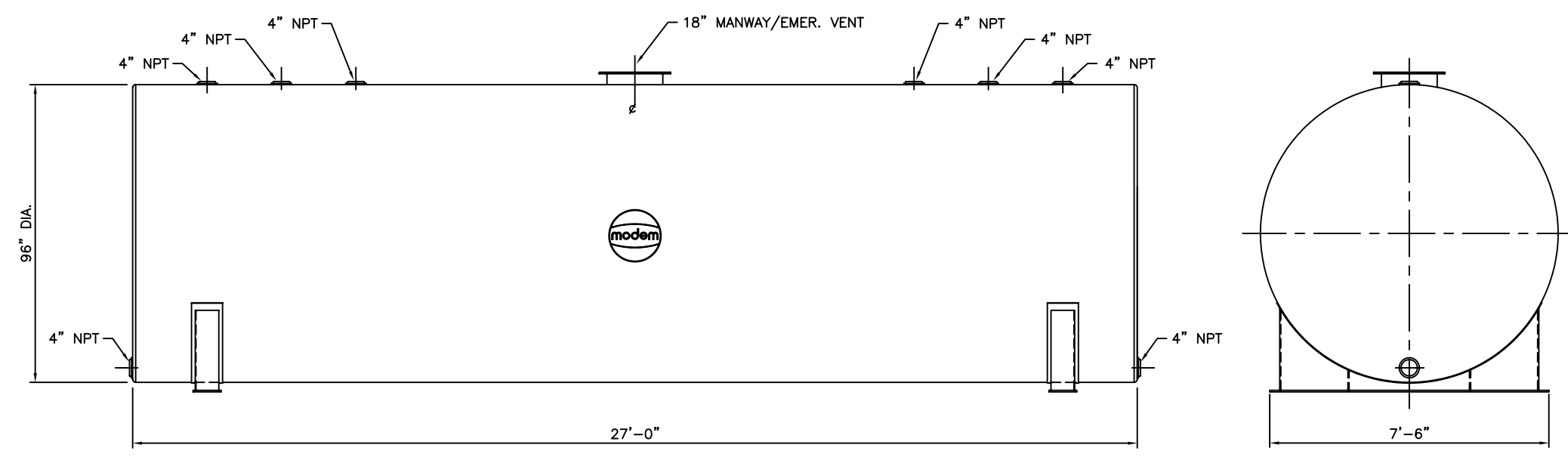
5,000 GALLON CAPACITY



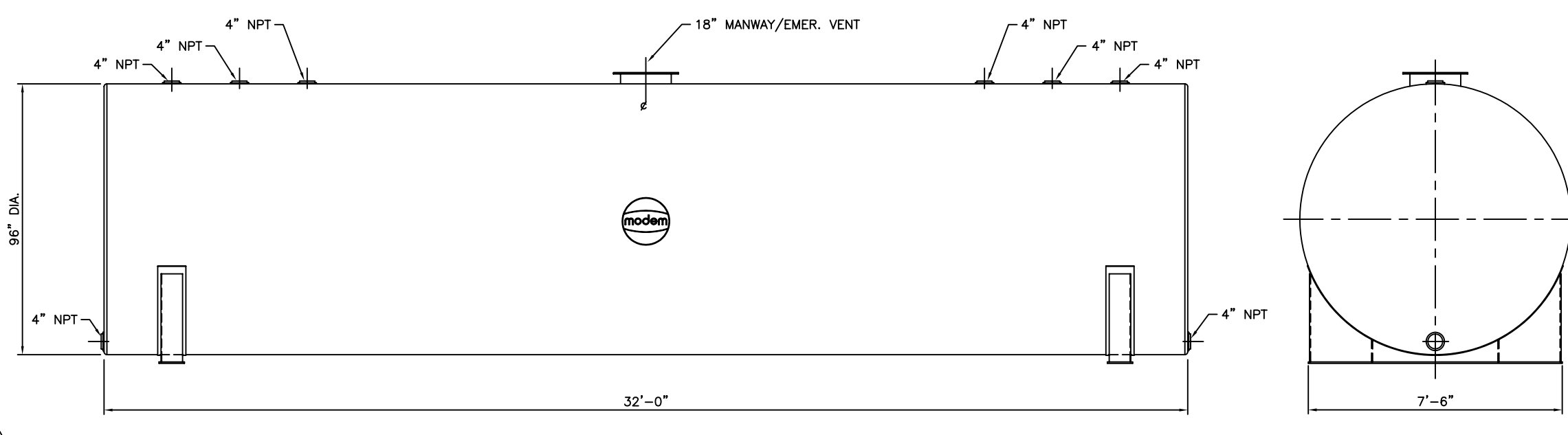
6,000 GALLON CAPACITY



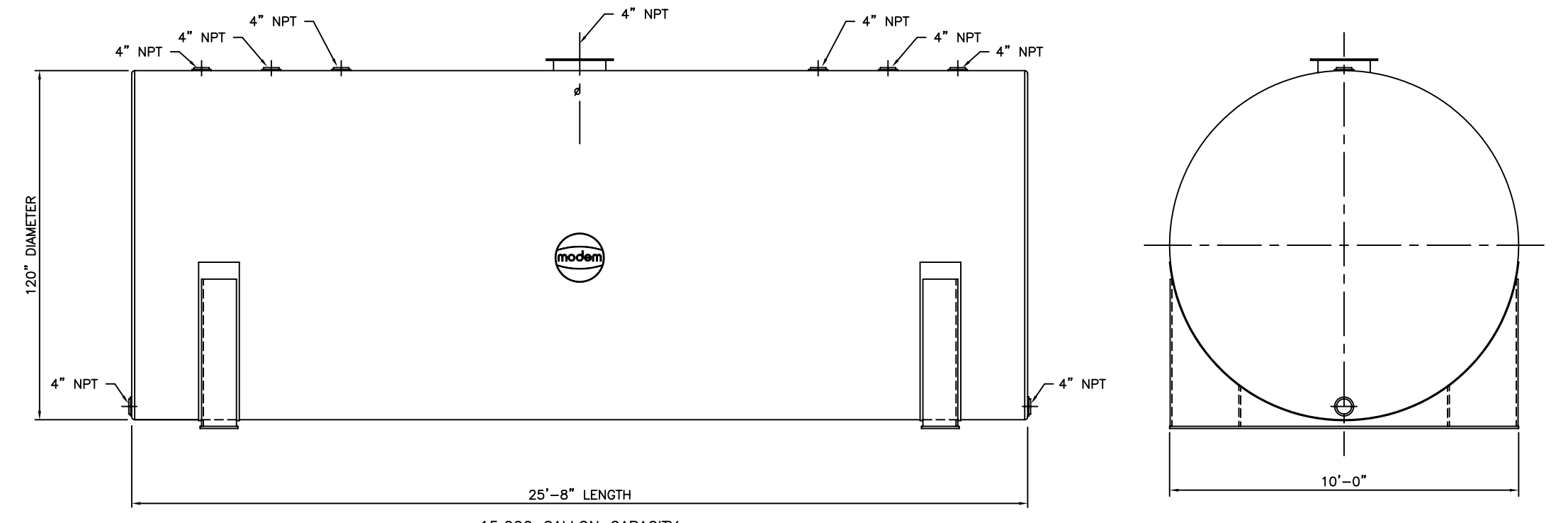
8,000 GALLON CAPACITY



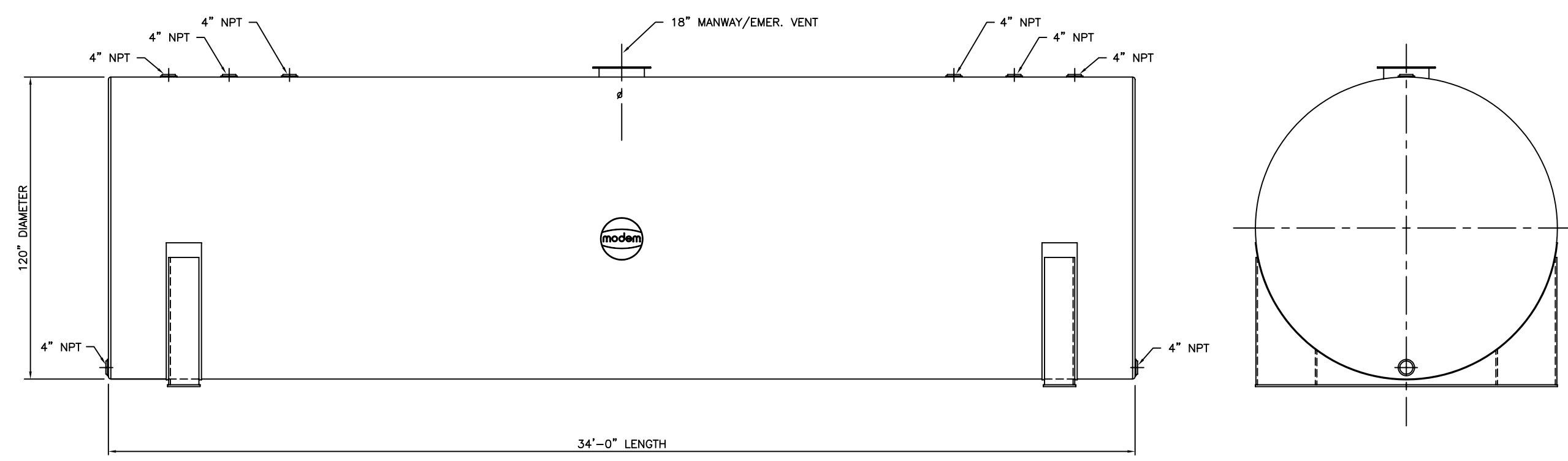
10,000 GALLON CAPACITY



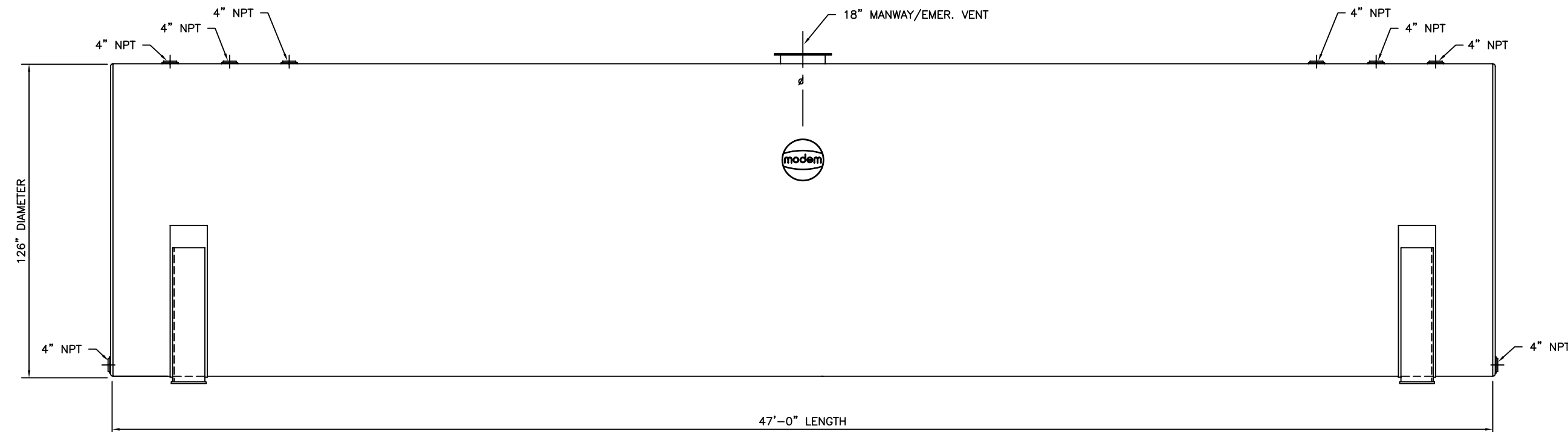
12,000 GALLON CAPACITY



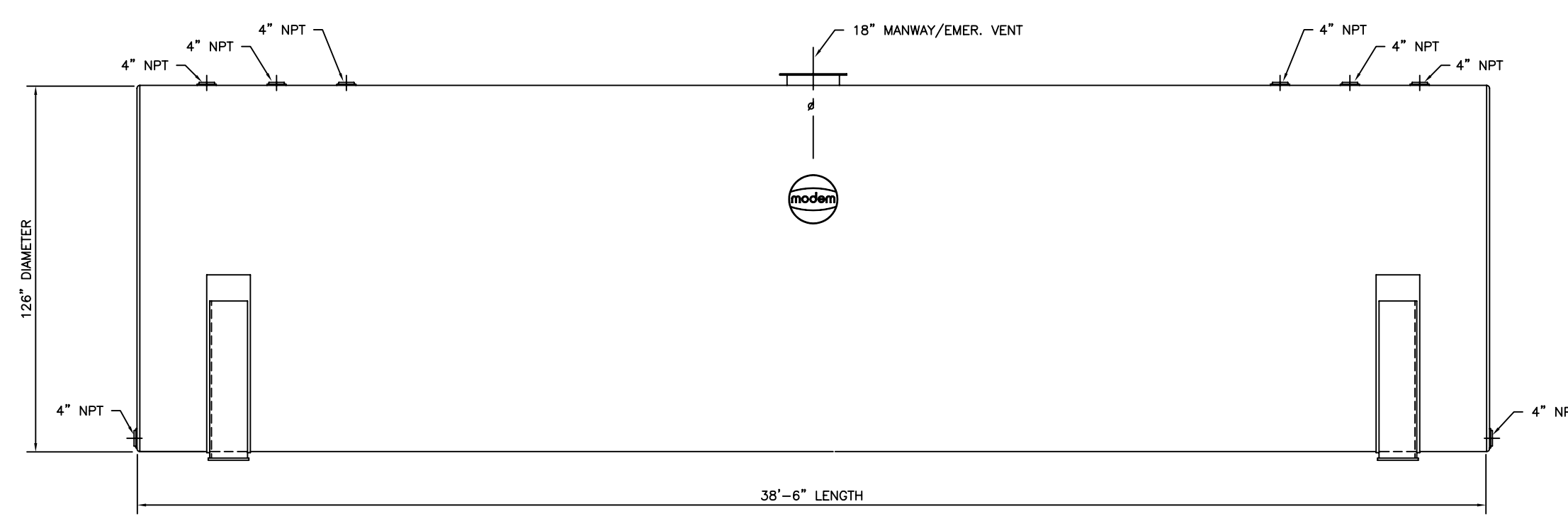
15,000 GALLON CAPACITY



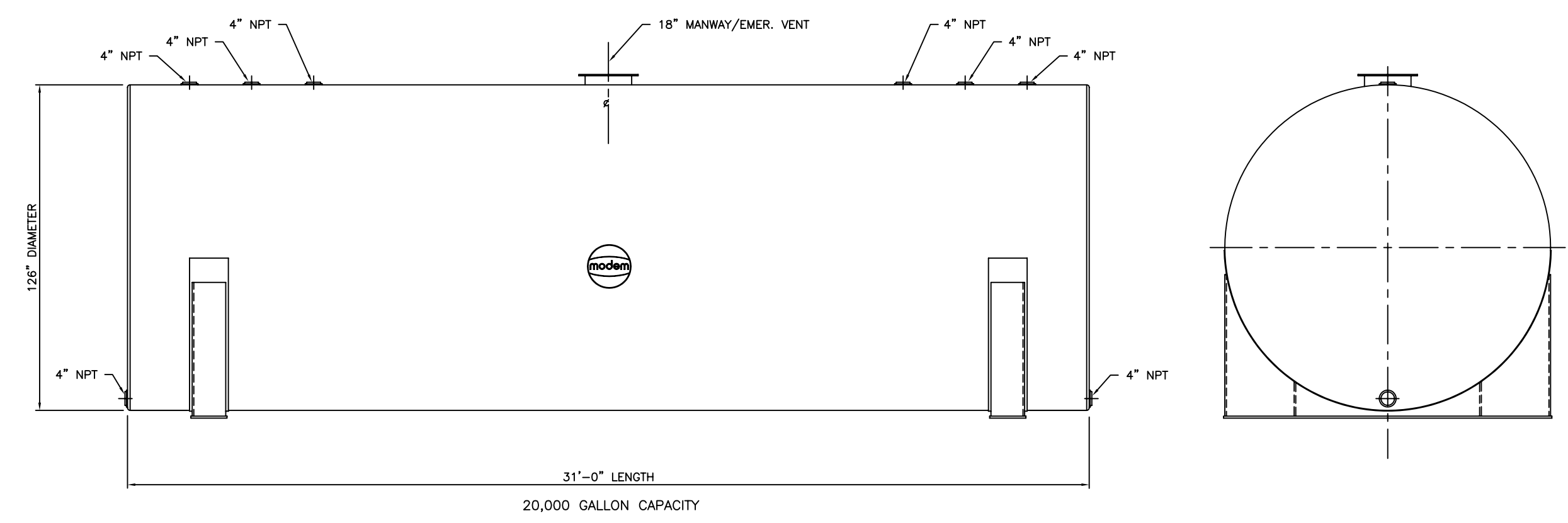
20,000 GALLON CAPACITY



30,000 GALLON CAPACITY




25,000 GALLON CAPACITY



20,000 GALLON CAPACITY

THIS DRAWING IS FOR ILLUSTRATION PURPOSES ONLY AND IS NOT TO BE RELIED UPON FOR ANY OTHER PURPOSE. NO WARRANTY OF MERCHANTABILITY, OF FITNESS FOR A PARTICULAR PURPOSE OR OF ANY OTHER KIND, EXPRESSED OR IMPLIED, IS HEREBY MADE.

NO. REQ'D		ITEM NO.	
modern welding company, inc.			
2880 New Hartford Road Owensboro, KY. 42302		 Corporate Office (502) 685-4400	
SINGLE WALL ABOVEGROUND HORIZONTAL STORAGE TANK			
DWN. BY	DATE	SCALE:	
CHK. BY	JOB NO.	DWG. NO.	▲
APR. BY	P.O. NO.	SHT. NO.	OF