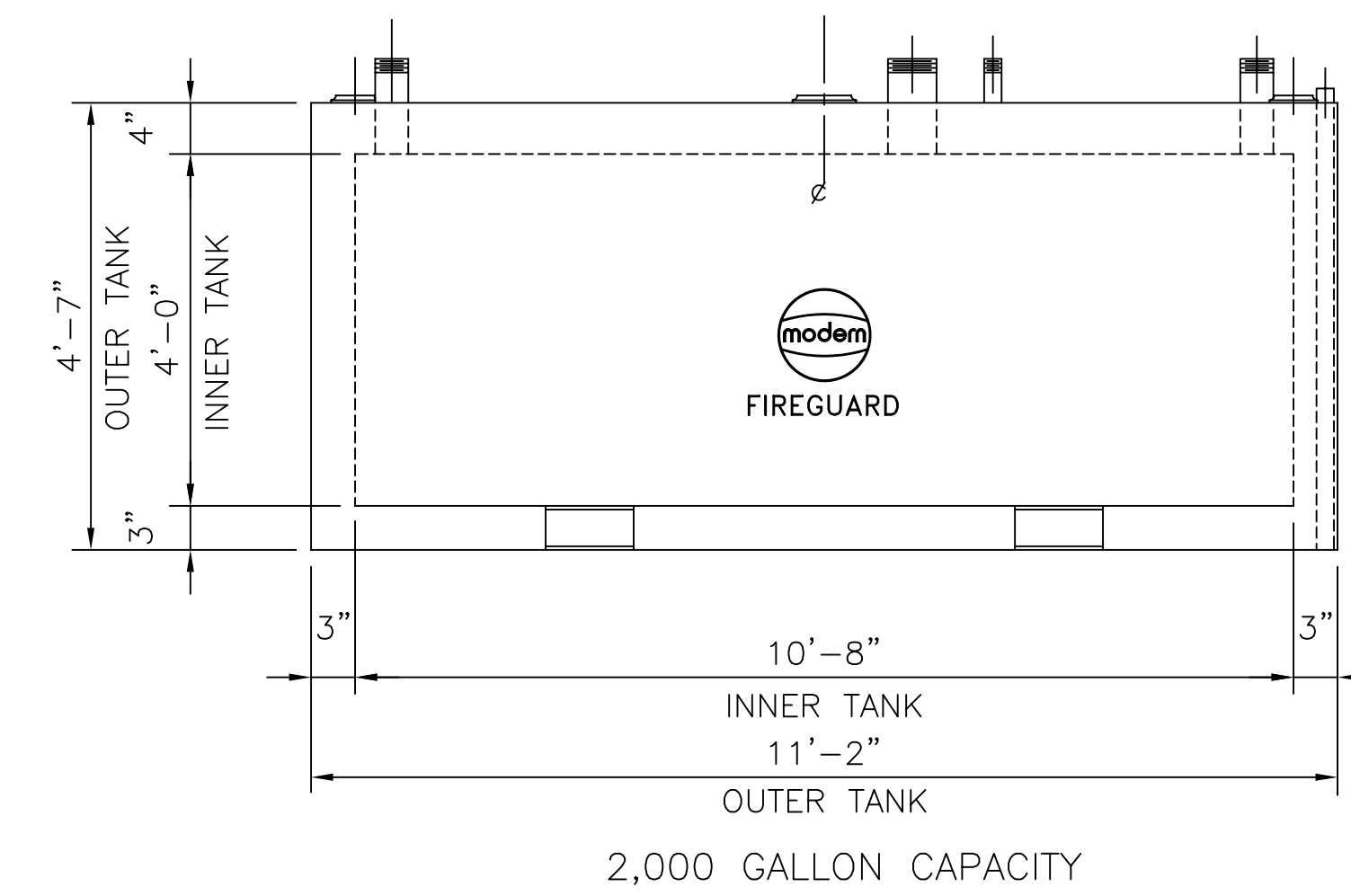
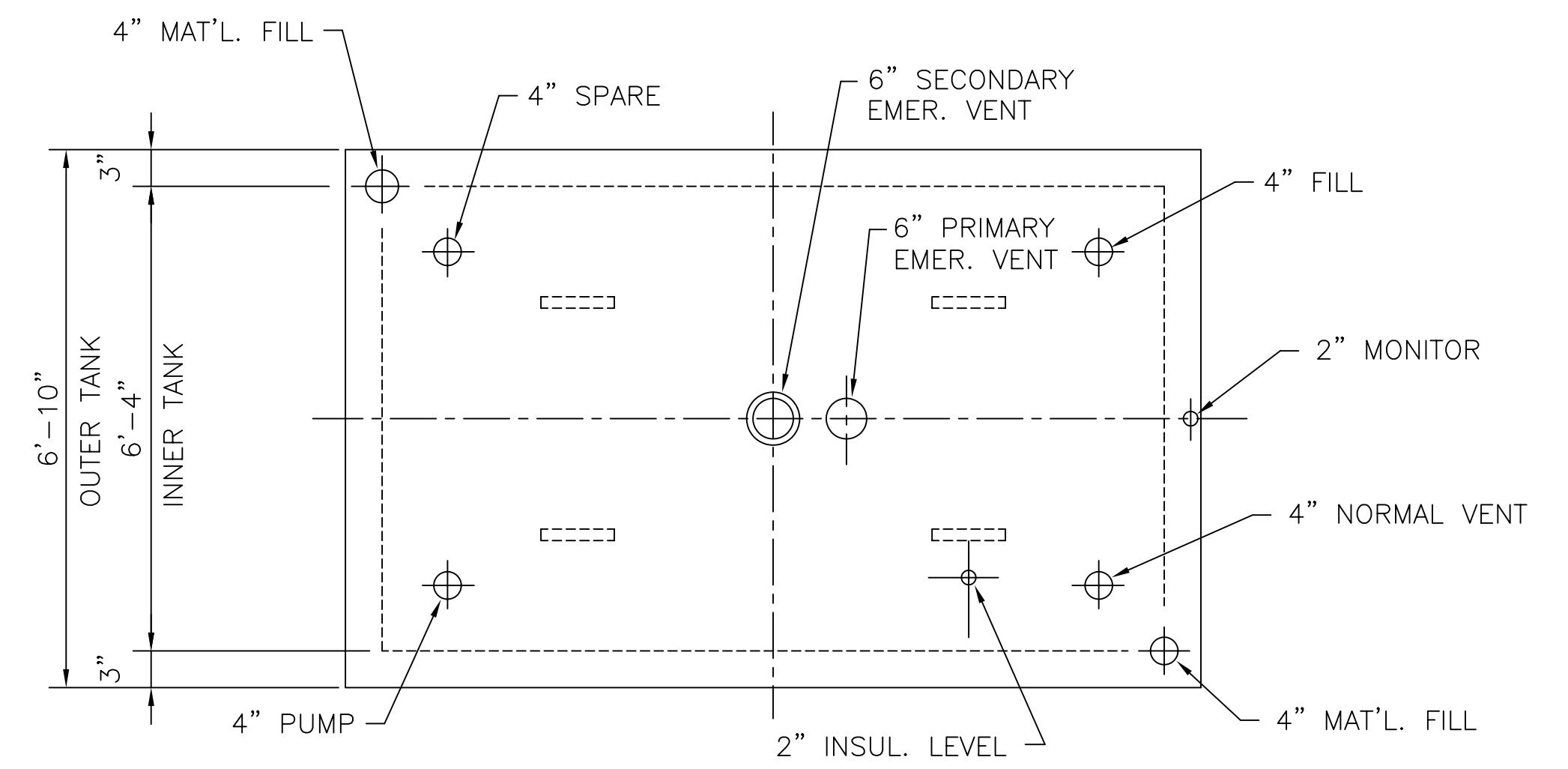
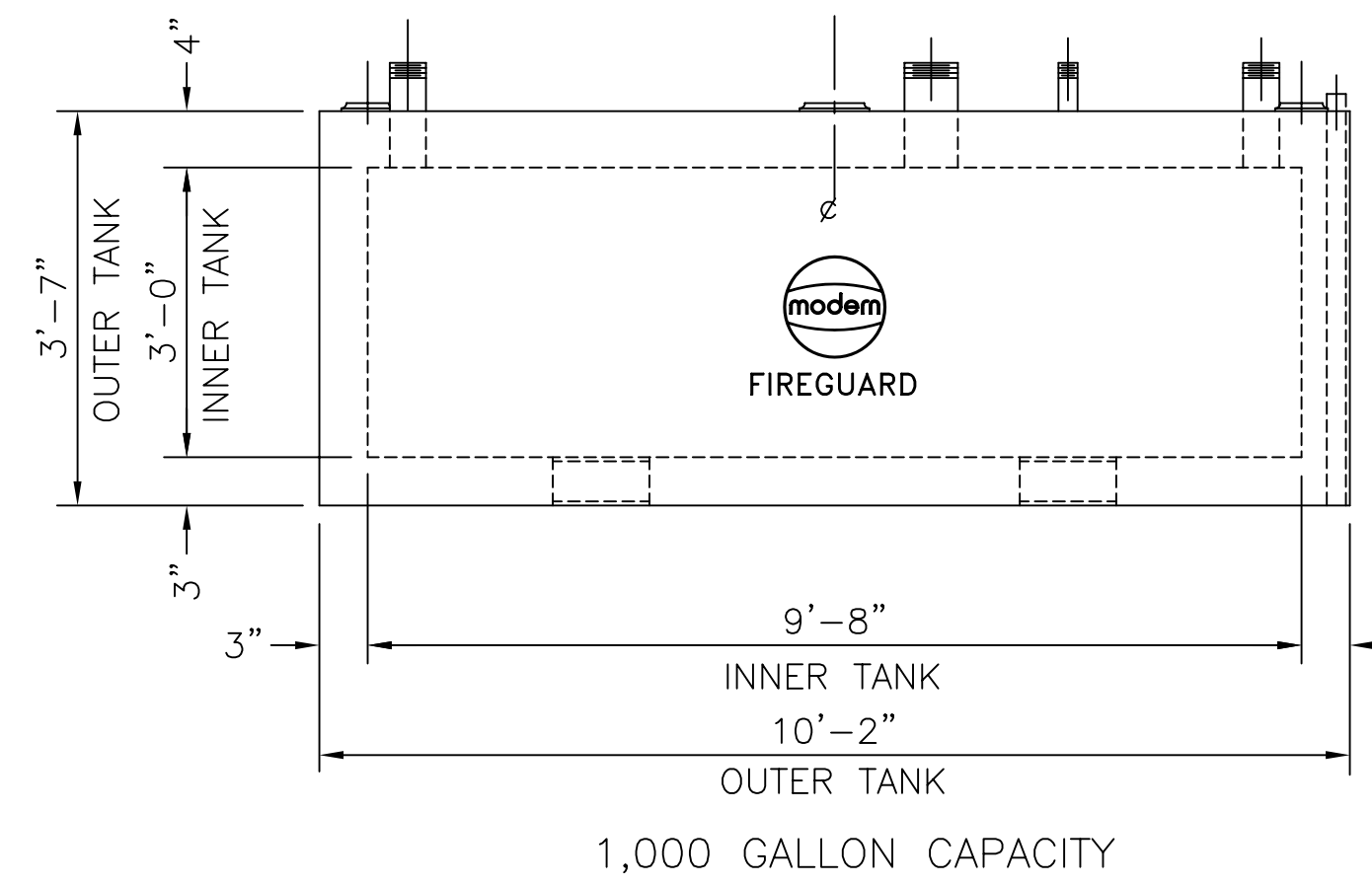
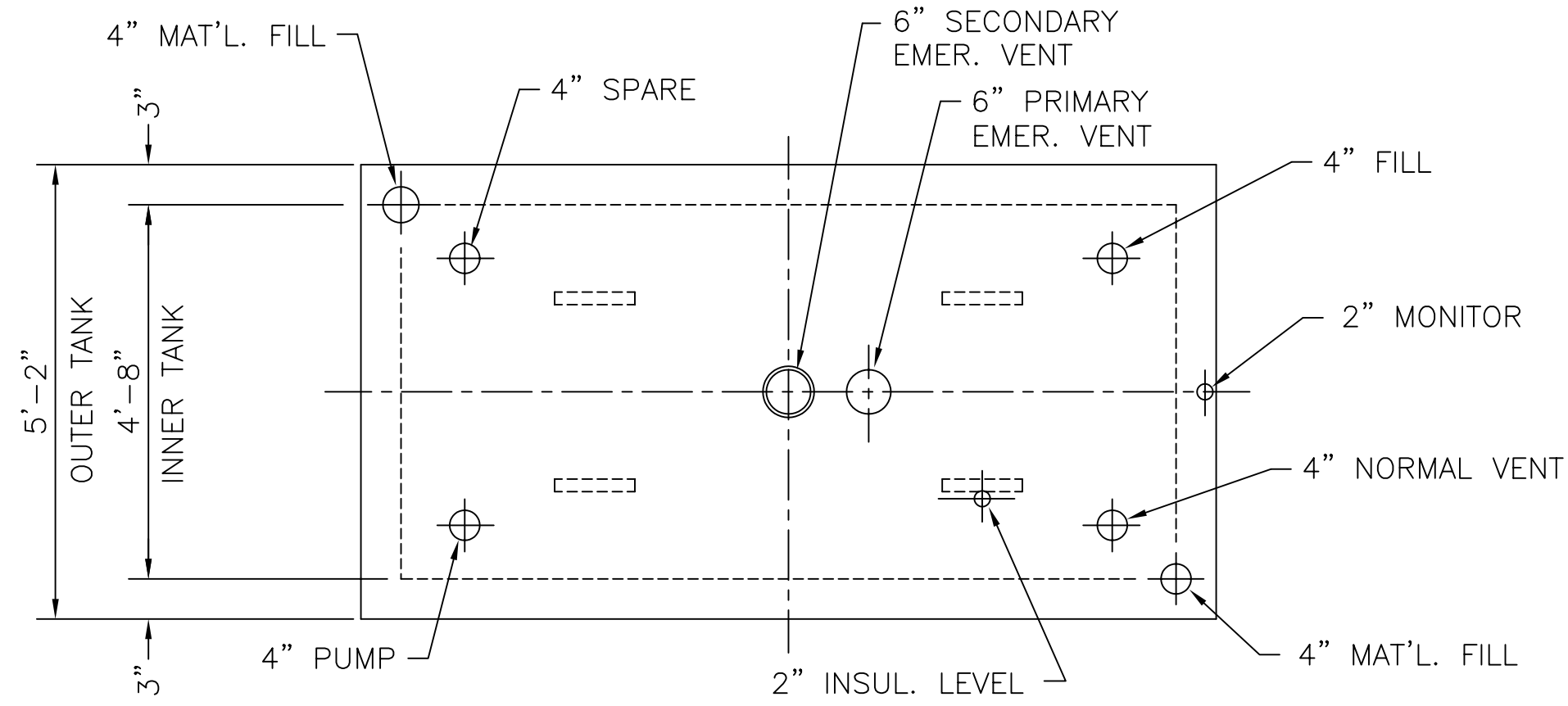
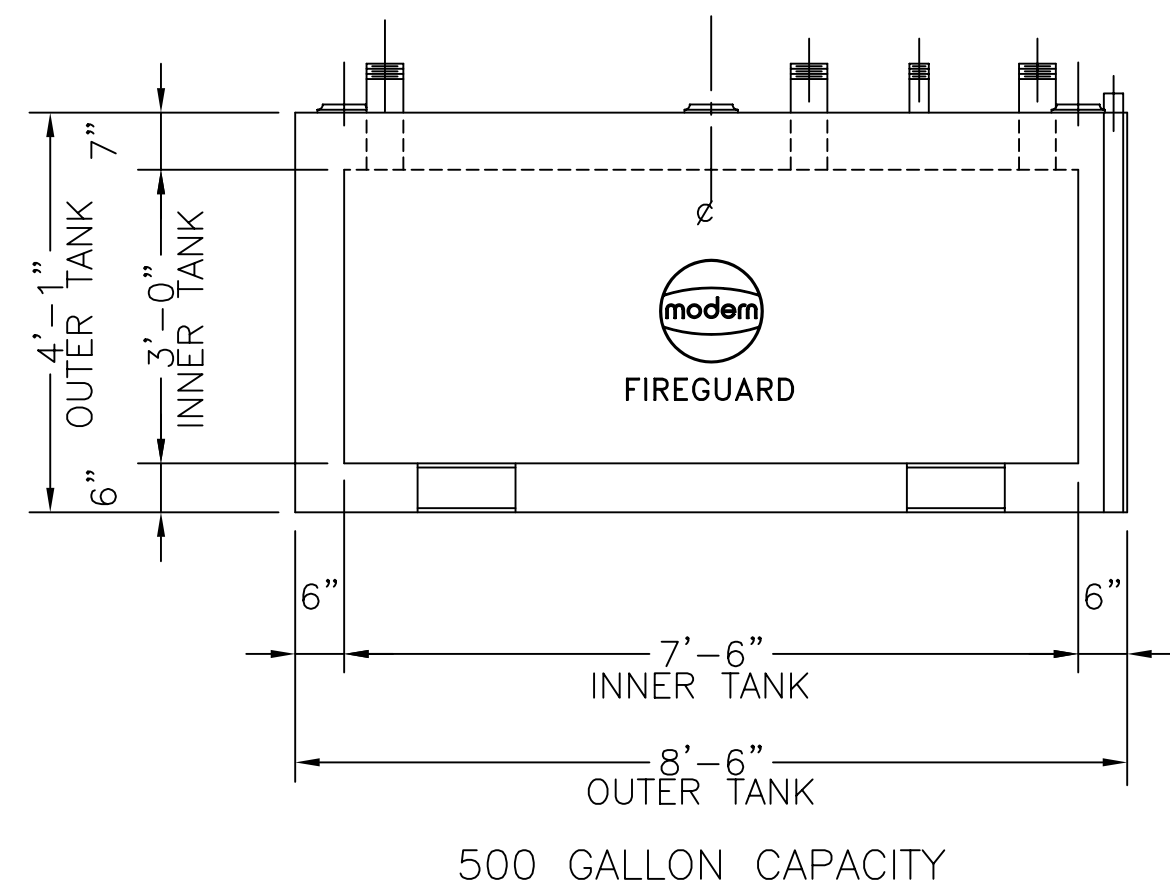
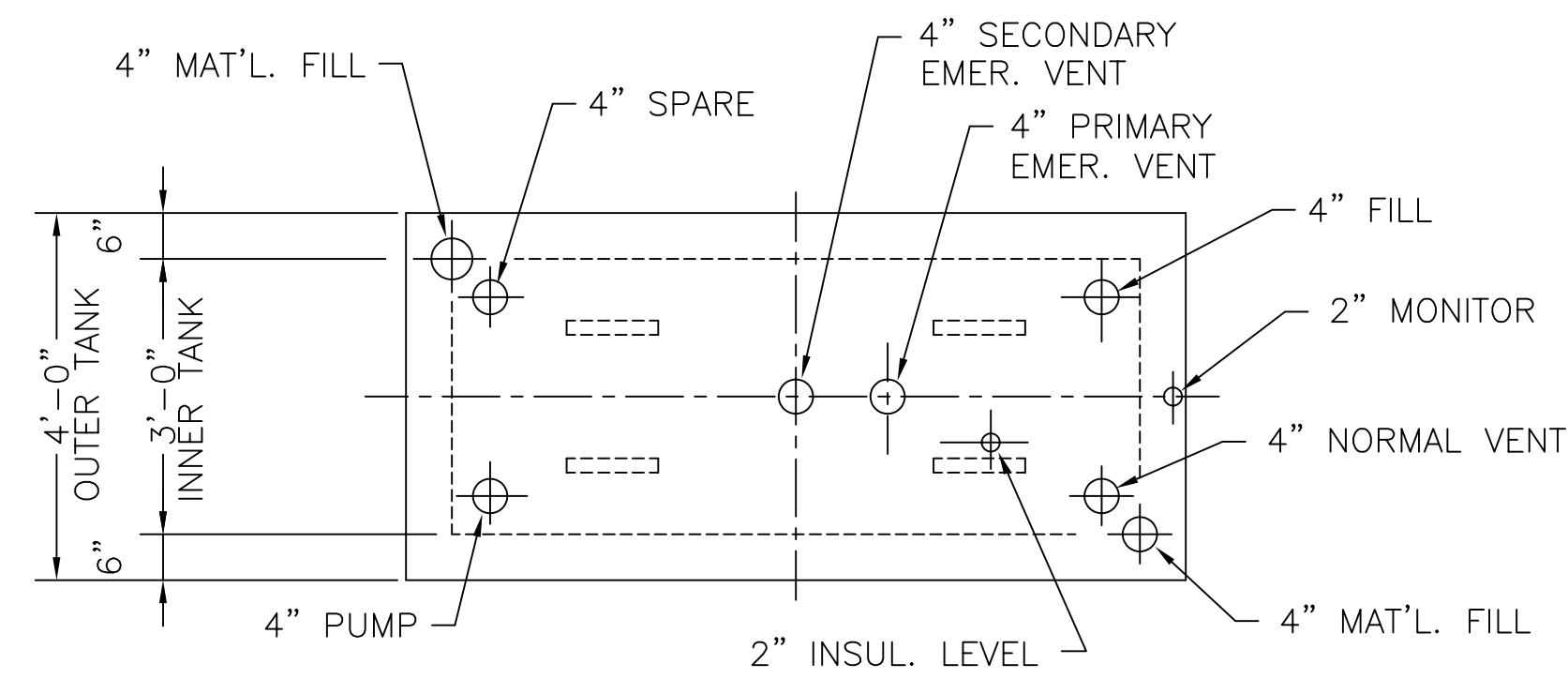
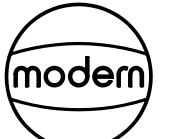


THIS DRAWING IS FOR ILLUSTRATION PURPOSES ONLY AND IS NOT TO BE RELIED UPON FOR ANY OTHER PURPOSE. NO WARRANTY OF MERCHANTABILITY, OF FITNESS FOR A PARTICULAR PURPOSE OR OF ANY OTHER KIND, EXPRESSED OR IMPLIED, IS HEREBY MADE.



SIZES UP THROUGH 24,000 GALLON AVAILABLE
CONTACT OUR SUBSIDIARY CLOSEST TO YOUR JOBSITE
WWW.MODWELDCO.COM

THIS DRAWING IS FOR ILLUSTRATION PURPOSES ONLY AND IS NOT TO BE RELIED UPON FOR ANY OTHER PURPOSE. NO WARRANTY OF MERCHANTABILITY, OF FITNESS FOR A PARTICULAR PURPOSE OR OF ANY OTHER KIND, EXPRESSED OR IMPLIED, IS HEREBY MADE.

NO. REQ'D	ITEM NO.	
modern welding company, inc.		
2880 New Hartford Road Owensboro, KY. 42302	 Corporate Office (270) 685-4400	
FIREGUARD RECTANGULAR TANKS		
DWN. BY	DATE	SCALE:
CHK. BY	JOB NO.	DWG. NO.
APR. BY	P.O. NO.	SHT. NO. OF